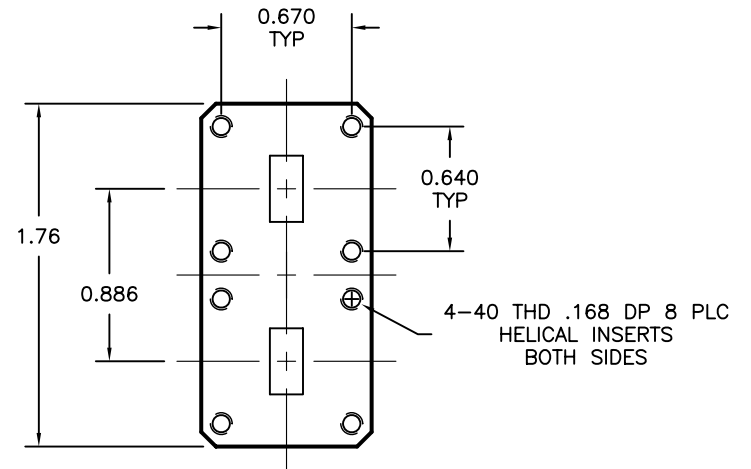
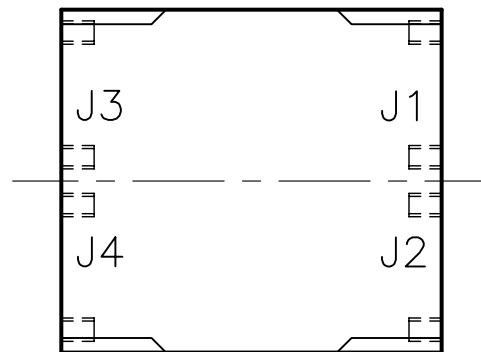
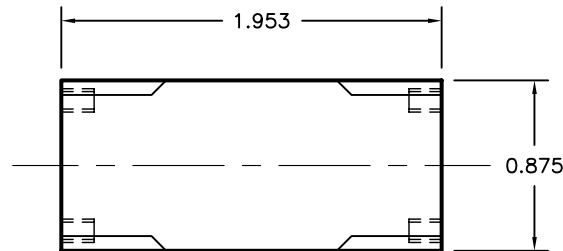


REV A	AUTH RL	DATE 08/08/07	INITIAL RELEASE
----------	------------	------------------	-----------------



MODEL SPECIFICATIONS

MECHANICAL
MODEL NUMBER 34-261X-W-6-6-6-6

MATERIAL: ALUM./BRASS PER ORDER

FINISH: CHEM FILM

FLANGES: WR34 STD CVR W/
HELICAL INSERTS

ELECTRICAL
FREQ. RANGE: 26.3-26.7 GHz

VSWR: 1.15 MAX.

ISOLATION: 20dB MIN.

THIRD ANGLE PROJECTION:		APPROVALS	DATE	ADVANCED TECHNICAL MATERIALS, INC. TEL: (631) 289-0363 FAX: (631) 289-0358 www.atmmicrowave.com		THE INFORMATION IN THIS DRAWING IS PROPRIETARY AND SHALL NOT BE USED OR DISCLOSED WITHOUT THE PRIOR WRITTEN CONSENT OF ATM, INC. DO NOT SCALE DWG.		
UNLESS OTHERWISE NOTED, DIMENSIONS ARE IN INCHES, TOLERANCES ARE: FRACTIONS: ±1/64 ANGLES: ±1/2°		DRAWN RL	08/08/07	OUTLINE, WR34 HYBRID COUPLER, STYLE W				
BASIC DIMENSION		CHKD.	APRVD.					
UNDER 6"	±.02	±.005	MATERIAL SEE NOTES		SIZE A	CAGE CODE 0R8N4	ATM DWG # 8155W	REVISION A
6" - 12"	±.03	±.010	TREATMENT -		SCALE 1 : 1	MODEL # SEE NOTES	SHEET 1/1	
OVER 12"	±.06	±.015	FINISH SEE NOTES					